



14397/E00

Robust yet sleek enclosures for our HMI operating stations of all series



- > Brushed stainless steel
 - Surface roughness 0.3 ... 0.6 mm
 - Material V2A (SS304)
 - Optional: V4A (SS316), seawater-proof
- > Protection type IP66
- > A variety of mounting and installation options
- > All CFR enclosures are suitable for clean room installation according to GMP

WebCode

	ATEX / IECEx					
Zone	0	1	2	20	21	22
Installation in		x	x		x	x

A7

Enclosures for field systems

Definition	All enclosures for the HMI devices are part of the corresponding field system and must therefore be ordered with the corresponding product code for the field system of the HMI device in question. For the product code please refer to the pages of the individual HMI series.
Enclosure tables	The enclosure tables contain an overview and an allocation of the enclosure versions to HMI devices. Not every version of enclosure is available for every HMI device.

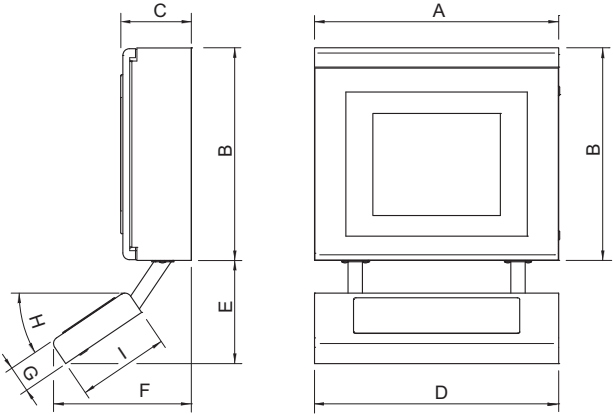
Enclosures

Versions	Definition	Description
FR	Front door	Stainless steel enclosure in V2A or V4A, with cover cut-out for HMI unit
CFR	Cleanroom front door	Stainless steel enclosure in V2A or V4A, with cover cut-out for HMI unit
BD	Back door	Stainless steel enclosure in V2A or V4A, with cover cut-out for HMI unit
RP	Rugged panel design	Aluminium enclosure, seawater-proof, powder-coated
RF	Rigfloor	Aluminium enclosure, with cover cut-out for HMI unit
8150	Wall-mounted enclosure type 8150	Stainless steel V2A, with cover cut-out for HMI unit

Mounting option / keyboard

Versions	Description
W	Direct wall-mounting
F	Mounting on stand
C	Ceiling mounting
T	Keyboard enclosure

Enclosure table FR
 Dimensional drawing (all dimensions in mm) - subject to modifications



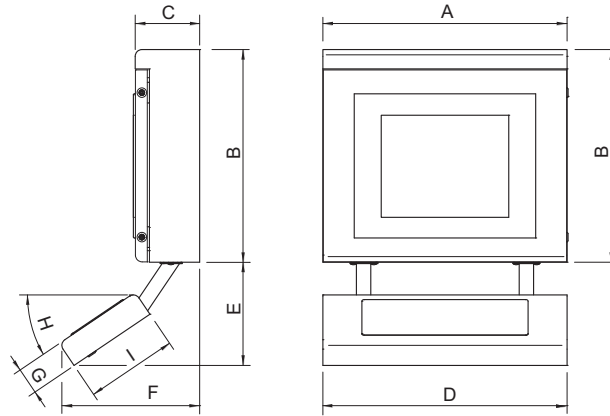
15290E00

A7

Device	Dimensions [mm]								
	A	B	C	D	E	F	G	H	I
ET-336, MT-336 ET-436, MT-436 ET-536, MT-536	625	516	190	720	304	400	78	34°	270
ET-456, MT-456 ET-556, MT-556	740	568	190	720	304	400	78	34°	270
ET-467, MT-467, IT-467 ET-567, MT-567, IT-567 ET-667, MT-667, IT-667 ET-477, MT-477, IT-477 ET-577, MT-577, IT-577 ET-677, MT-677, IT-677 ET-487, MT-487, IT-487 ET-587, MT-587, IT-587 ET-687, MT-687, IT-687	740	568	190	720	304	400	78	34°	270

Enclosure table CFR

Dimensional drawing (all dimensions in mm) - subject to modifications



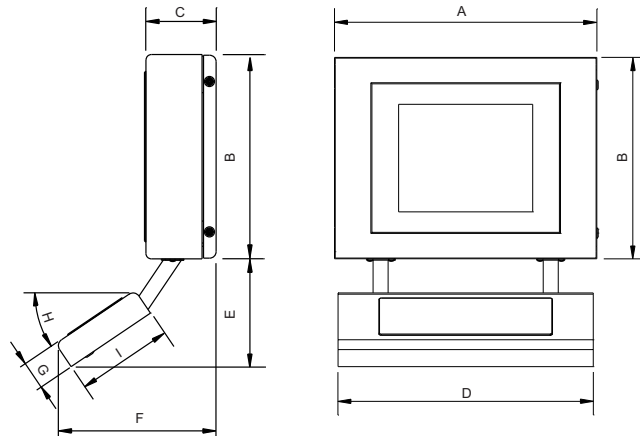
15290E00

Device	Dimensions [mm]								
	A	B	C	D	E	F	G	H	I
ET-336, MT-336 ET-436, MT-436 ET-536, MT-536	625	542	190	720	304	406	78	34°	270
ET-456, MT-456 ET-556, MT-556	720	627	190	720	304	406	78	34°	270
ET-467, MT-467, IT-467 ET-567, MT-567, IT-567 ET-667, MT-667, IT-667 ET-477, MT-477, IT-477 ET-577, MT-577, IT-577 ET-677, MT-677, IT-677 ET-487, MT-487, IT-487 ET-587, MT-587, IT-587 ET-687, MT-687, IT-687	720	627	190	720	304	406	78	34°	270

A7

Enclosure table BD

Dimensional drawing (all dimensions in mm) - subject to modifications

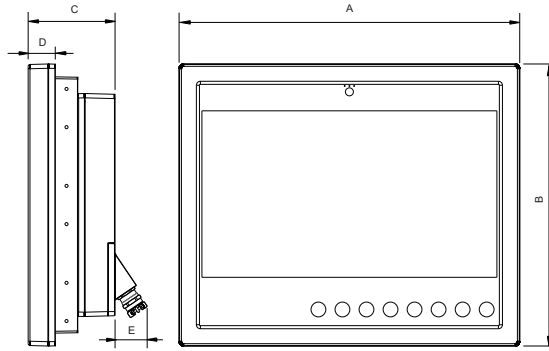


A7

Device	Dimensions [mm]								
	A	B	C	D	E	F	G	H	I
ET-436, MT-436 ET-536, MT-536	625	542	195	720	304	442	78	34°	270
ET-456, MT-456 ET-556, MT-556	740	568	195	720	304	442	78	34°	270
ET-467, MT-467, IT-467 ET-567, MT-567, IT-567 ET-667, MT-667, IT-667 ET-477, MT-477, IT-477 ET-577, MT-577, IT-577 ET-677, MT-677, IT-677 ET-487, MT-487, IT-487 ET-587, MT-587, IT-587 ET-687, MT-687, IT-687	740	568	195	720	304	442	78	34°	270

Enclosure table RP

Dimensional drawing (all dimensions in mm) - subject to modifications

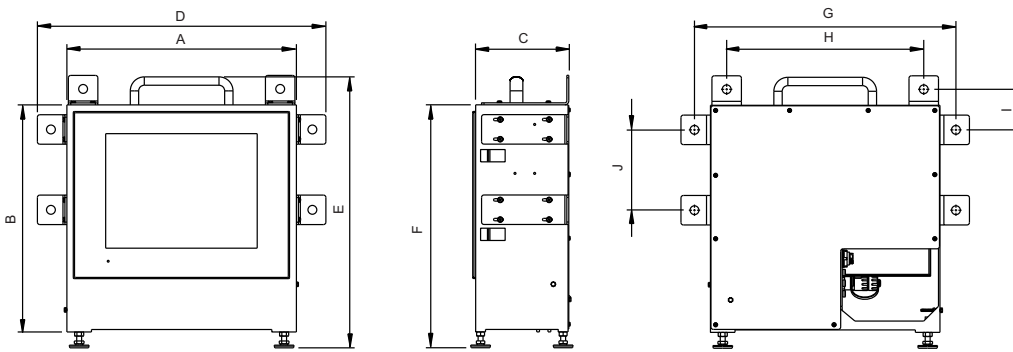


Device	Dimensions [mm]				
	A	B	C	D	E
ET-438, MT-438	380	394	137	40	52
ET-488, MT-488	553	458	141	44	52
ET-498, MT-498	594	490	141	44	52

A7

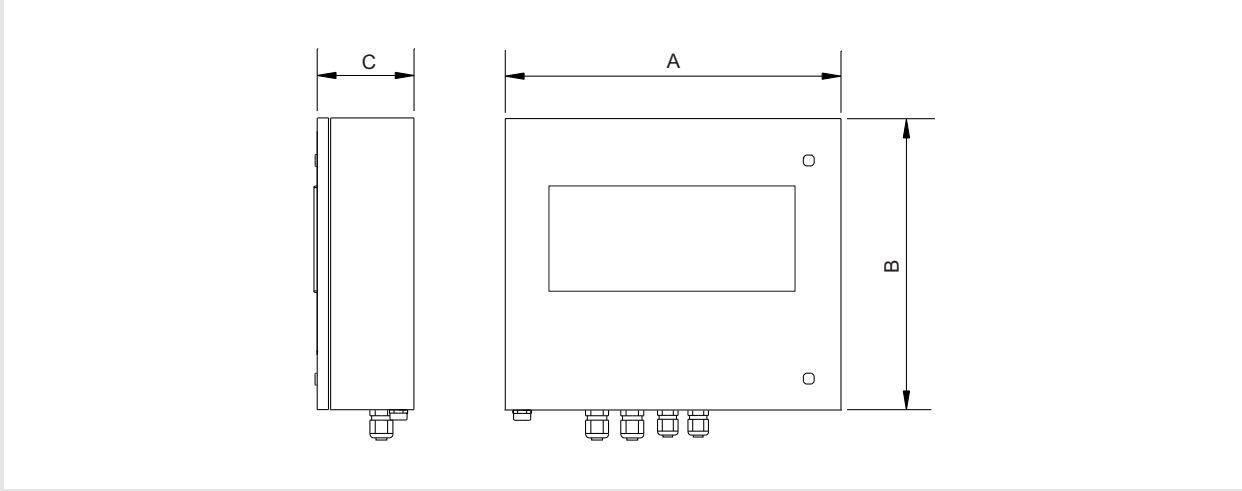
Enclosure table RF

Dimensional drawing (all dimensions in mm) - subject to modifications



Device	Dimensions [mm]									
	A	B	C	D	E	F	G	H	I	I
ET-436, MT-436	467	462	190	587	554	494	532	401	82,5	163,5
ET-456, MT-456	567	562	190	687	652	592	632	361	64,5	260

Enclosure table 8150
 Dimensional drawing (all dimensions in mm) - subject to modifications



A7

Device	Dimensions [mm]		
	A	B	C
ET-65, MT-65 ET-75 ET-125 ET-208, MT-208	400	400	150
ET-306, MT-306 ET-406, MT-406 ET-316, MT-316 ET-416, MT-416 ET-336, MT-336	600	600	230